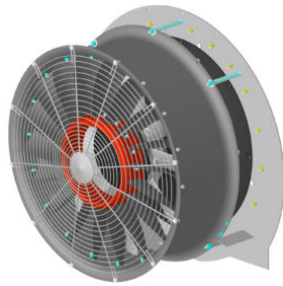


D.820-46DRAD2000

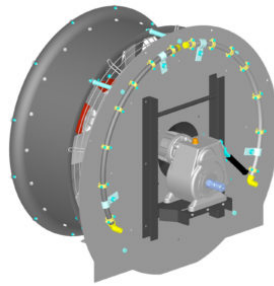
Sprayer unit with RAD2000 aluminium fan 815 mm diameter, 8 blades and CM9PG-B gearbox.

Overview

Product image



FRONT

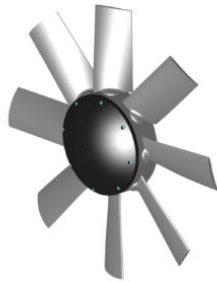


BACK

Fan

Fan model: **VAU**

Performance



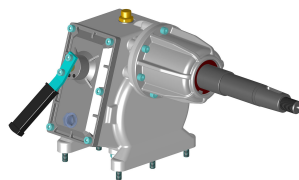
Blade inclination angle	Volume	Power
35° Min	42,758 m ³ /h	29.0 HP
45° Max	45,553 m ³ /h	39.0 HP

Number of blades 8
Diameter ø 815 mm / 32"

Gearbox

Gearbox model: **CM9PG-B**

Specs



Nr. 2+N
Ratio 1 1:3.50
Ratio 2 1:4.40

Specs

Distribution



Y: 7.5 m
Z: 17 m

Capacity

≥ Lt



≥ 1000 Lt

Nozzle Holder



7+7

Tractor



≥ 50 HP

Other

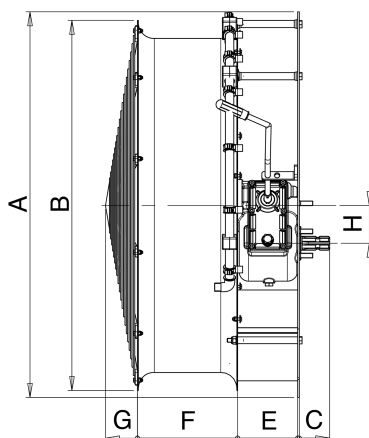
Noise @ 7,5 m 99 db

Weight 110 kg

Dimensions

Size chart

A	1000 mm
B	920 mm
C	75 mm
D	170 mm
E	150 mm
F	320 mm
G	85 mm
H	95 mm



Contacts

Fieni Giovanni S.r.l.

Via Chiavicone 10
40051 Altedo - Bologna
Italy

Phone: +39 051 871004
Fax: +39 051 871865
Email: info@fieni.it

C.F. e R. I. Bologna 03052740374
P.IVA 00592031207 C.S.i.v 19.625,36 €
R.E.A. Bologna 0259358 del 12.09.1980