

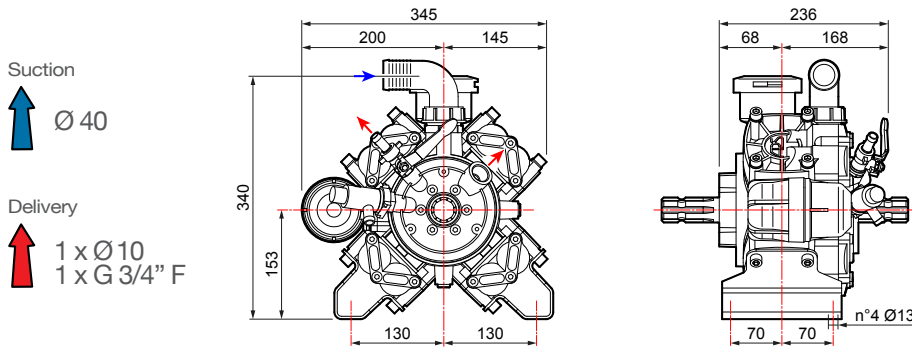


HIGH PRESSURE DIAPHRAGM PUMPS



# APS 96

4 Diaphragm



## AVAILABLE MODELS

### APS 96

6 Hole Flange  
1" Bypass



### APS 96 MF

6 Hole Flange  
1 3/8" Male 6 Splined Shaft



### APS 96 MM

1 3/8" Male 6 Splined Shaft  
on Both Sides



### APS 96 GR8

1" Hollow Shaft Gearbox  
Adjustable Regulator  
1/2" Outlet, 1" Bypass



## ACCESSORIES & REPAIR KITS

### Comet Oil



8102.1801.00

### VR 40 Regulator



1204.0815.00 (580 PSI)

### GCP 3V Regulator



1204.0571.00 (725 PSI)

### Shaft Protector



2416.0238.00

### Rebuild Kit



NBR: 5026.0087.00

RPM	0 bar - 0 p.s.i.				20 bar - 290 p.s.i.				30 bar - 435 p.s.i.				40 bar - 580 p.s.i.				50 bar - 725 p.s.i.				kg lb	
	l/min	U.S.g.p.m.	HP	KW	l/min	U.S.g.p.m.	HP	KW	l/min	U.S.g.p.m.	HP	KW	l/min	U.S.g.p.m.	HP	KW	l/min	U.S.g.p.m.	HP	KW		
400	74	19.5	0.7	0.5	68	18.0	3.7	2.8	67	17.7	5.3	3.9	66	17.4	6.8	5.0	65	17.2	8.5	6.3	22.5	49.6
450	83	21.9	1.0	0.7	77	20.3	4.3	3.1	75	19.8	6.0	4.4	74	19.5	7.7	5.7	73	19.3	9.5	7.0		
500	89	23.5	1.2	0.9	85	22.5	4.8	3.6	83	21.9	6.8	5.0	81	21.4	8.7	6.4	80	21.1	10.6	7.8		
550	94	24.8	1.5	1.1	91	24.0	5.3	3.9	90	23.8	7.5	5.5	89	23.5	9.5	7.0	88	23.2	11.7	8.6		